

# Miniature Rotary Switches

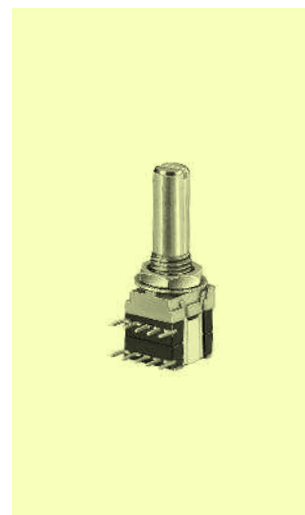
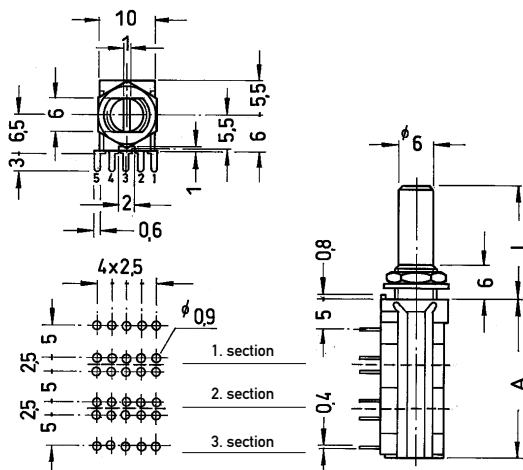
## Specifications:

Contact rating:	16 V DC, 100 mA
Contact resistance:	< 50 mΩ
Insulation resistance:	> 100 MΩ at 500 V DC
Dielectric strength:	500 V, 50 Hz for the duration of 1 minute
Operating temperature:	-20 °C to +80 °C
Mechanical life:	minimum 10 000 operations
Contacts:	gold-plated
Material:	case: PBT with glass fibre 30%; shaft: aluminium
Angle between 2 positions:	30°
Mounting:	on pc-board or front panel, bushing M 7 x 0.75, key 10 mm
Soldering conditions:	max.: 3 sec, 230 °C ± 5 °C

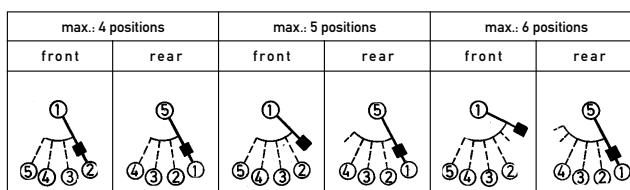
## Models:

MRS 10 H

Measure A:  
 1 section 12.0 mm  
 2 sections 19.5 mm  
 3 sections 27.0 mm

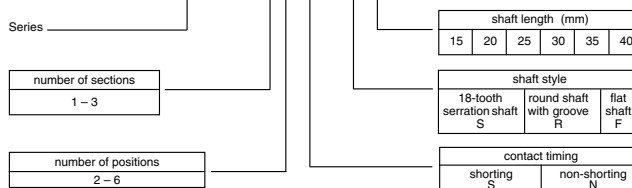


## Circuit diagram:



## Ordering code:

\* MRS 10 H - 15 N - R 20



\* Non-stock item; minimum quantity and delivery time on request.